



Clark County Department of Building & Fire Prevention

4701 West Russell Road • Las Vegas NV 89118

(702) 455-3000 • Fax (702) 221-0630

Division:	Building Division - Engineering	Code Interpretation	BE-CI-005
Subject:	PROTECTION BETWEEN EXTERIOR CURTAIN WALLS AND FLOOR/CEILING ASSEMBLIES	Effective Date:	04/30/2008
Code:	2012 IBC 715.4, 707.5, 708.4	Reviewed Date:	07/13/2016

A. CODE REQUIREMENT

IBC Section 715.4 states “Where fire-resistance-rated floor or floor/ceiling assemblies are required, voids created at the intersection of the exterior curtain wall assemblies and such floor assemblies shall be sealed with an approved system to prevent the interior spread of fire. Such systems shall be securely installed and tested in accordance with ASTM E 2307 to provide an F rating for a time period at least equal to the fire-resistance rating of the floor assembly. Height and fire-resistance requirements for curtain wall spandrels shall comply with Section 705.8.5.” (see attached diagram)

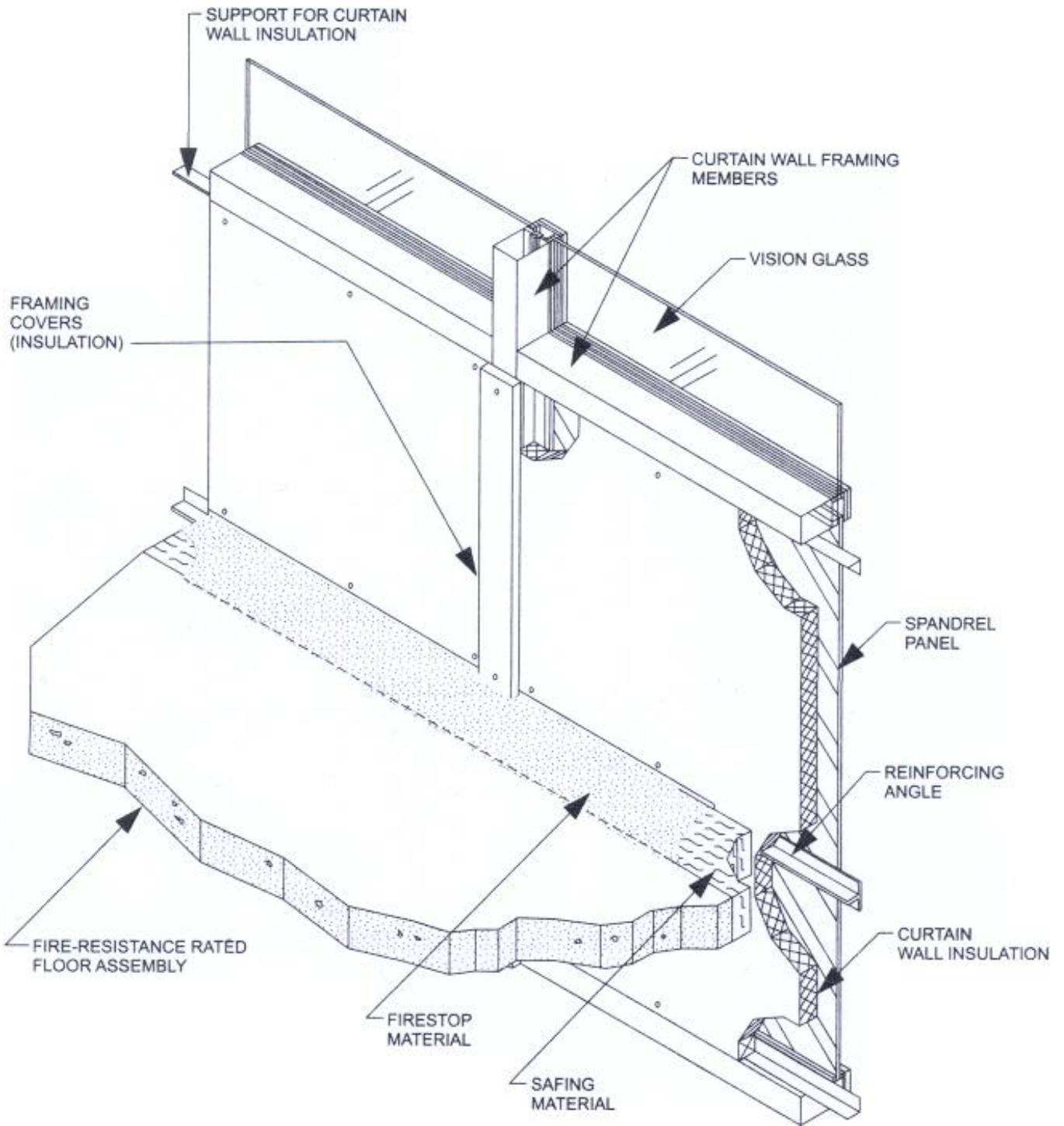
B. INTERPRETATION

The intent of this code section, as confirmed by a Senior Staff Engineer with the International Code Council, applies only to the void space located between the edge of a floor slab or edge of a floor assembly and the interior surface of the mullions, used in exterior curtain wall assemblies. The void spaces contained within any vertical or horizontal mullion of an exterior curtain wall assembly are NOT required to be sealed.

Further, fire barriers and fire partitions are NOT required to extend horizontally to the exterior glazing surface of an exterior curtain wall assembly. Fire barriers and fire partitions may terminate at the interior surface of the mullions, used in exterior curtain wall assemblies. A fire barrier is only required to meet the continuity requirements of Section 707.5 and a fire partition is only required to meet the continuity requirements of Section 708.4.

Curtain walls and the glass within glazed curtain walls must be secured to the structural building elements, per the Clark County approved structural and architectural plans and details.




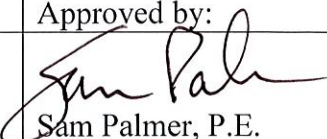
Division:	Building Division	Code Interpretation	BE-CI-005
Subject:	PROTECTION BETWEEN EXTERIOR CURTAIN WALLS AND FLOOR/CEILING ASSEMBLIES	Effective Date:	04/30/2008
Code:	IBC 715.4, 707.5, 708.4	Reviewed Date:	07/13/2016



Division:	Building Division	Code Interpretation	BE-CI-005
Subject:	PROTECTION BETWEEN EXTERIOR CURTAIN WALLS AND FLOOR/CEILING ASSEMBLIES	Effective Date:	04/30/2008
Code:	IBC 715.4, 707.5, 708.4	Reviewed Date:	07/13/2016

Revision History:

POLICY #	TITLE	Effective Date	Revised	Reviewed
BD-CI-005	Protection Between Exterior Curtain Walls And Floor/Ceiling Assemblies	04/30/2008		08/15/2008
BD-CI-005	Protection Between Exterior Curtain Walls And Floor/Ceiling Assemblies		0/15/2012	
BE-CI-005	Protection Between Exterior Curtain Walls And Floor/Ceiling Assemblies		06/20/2014	
BE-CI-005	Protection Between Exterior Curtain Walls And Floor/Ceiling Assemblies			07/13/2016

Developed by:	Reviewed by:
<i>Engineering Staff (2007)</i>	 Kevin McOsker <i>Plans Exam Manager</i>
	 Brenda Thompson <i>Inspection Manager</i>
Reviewed by:	Approved by:
 Ted Droessler <i>Engineering Manager</i>	 Sam Palmer, P.E. <i>Acting Director/Building & Fire Official</i>