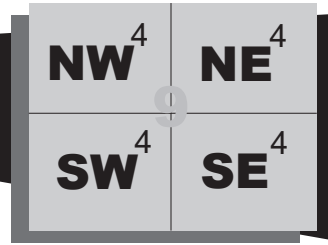


Appendix J - Aliquot Parts

Township

6	5	4	3	2	1
7	8	9	10	11	12
18	17	16	15	14	13
19	20	21	22	23	24
30	29	28	27	26	25
31	32	33	34	35	36

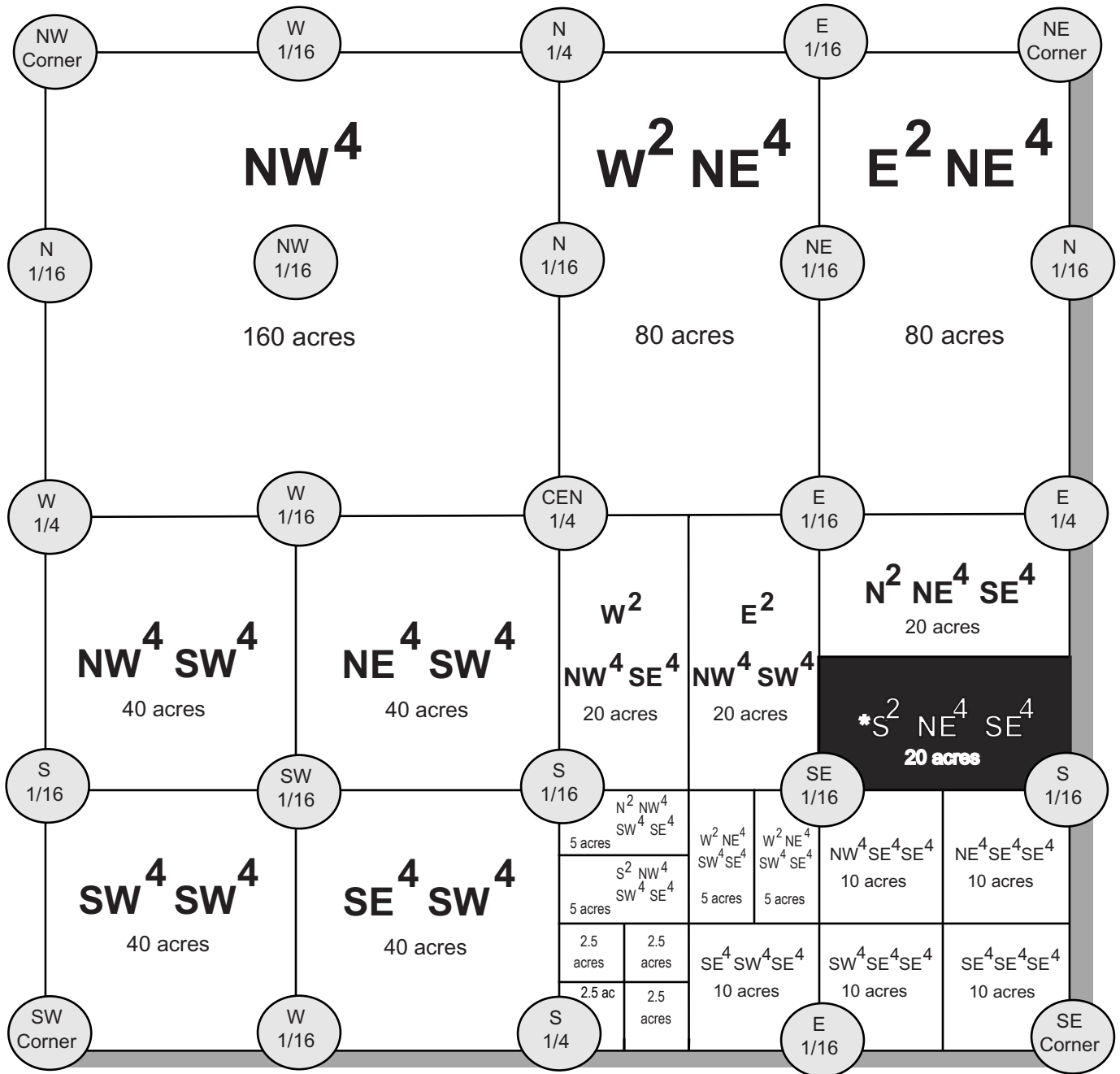
Section



Each section is one square mile in size (640 acres) and divided into four quarters of 160 acres each. Each quarter can be further divided to allow for a precise description of a particular parcel of land.

A township is normally 6 miles wide by 6 miles deep and is divided into 36 sections.

Typical Division of a Section into Aliquot Parts



*The description of this parcel would read: The south half of the north east quarter of the southeast quarter of section 9.